

Features

- Color and style matched to Profiles Antique Mirror styling suite
- Modular Vanity - Build arrays both stacked and ganged
- Mates to H2D21 (15" high)
- Handleless ergonomic continuous drawer
- Tip-out front storage version allows for standard undermount sink

Construction

- All aluminum and glass construction - designed for disassembly and recycle, aluminum structural frame and drawer sides, glass drawer fronts, and safety backed glass drawer bottom
- Constructed for wall hanging loads with stone tops
- Glass fronts and optional side kits are replaceable
- Includes installation hardware using secure structural bolts
- Glass side kits sold separately

Codes/Standards Applicable

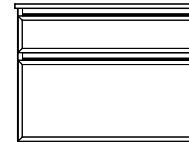
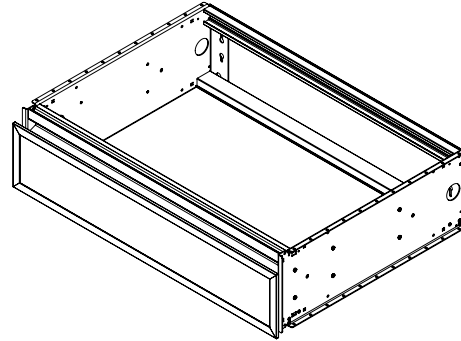
- Night Light Option is ETL certified to:
 - UL 2108
 - CSA Standard C22.2 No. 12

Dimensions

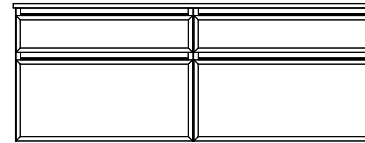
Height: 7-1/2" (191 mm)
 Width: 30-1/8" (765 mm) - with side kits installed
 Depth: 21-7/8" (556 mm)

Options

- Integrated night light with light bar built into top frame provides drawer illumination and for wayfinding light in either 2700 kelvin or 4000 kelvin



30" Example: (1) H1 - 7-1/2" (191 mm) and (1) H2 - 15" (381 mm)
 Profiles Antique Mirror vanities stacked Total height 22-1/2" (572 mm)



60" Example: (2) H1 - 7-1/2" (191 mm) and (2) H2 - 15" (381 mm)
 Profiles Antique Mirror vanities stacked and ganged

Model Number Key

Vanity	Profiles	Width	Height	Depth	Drawer Style	Glass Finish	Light	Metal Frame Finish
V	P	30"	H1 = 7-1/2"	D21 = 21-7/8"	T = Tip Out	58 = Acrobaleno	S = Selectable Night Light 2700K / 4000K	82 = Matte Gold

Electrical System

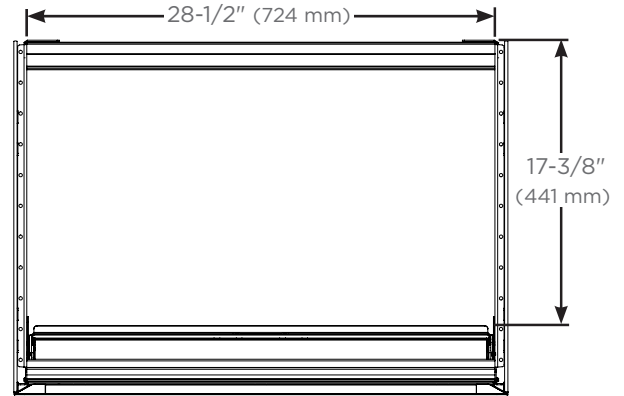
- Night light option - 12VDC plug-in transformer
Locate wall outlet as per installation instructions 209-1231

Optional Accessories

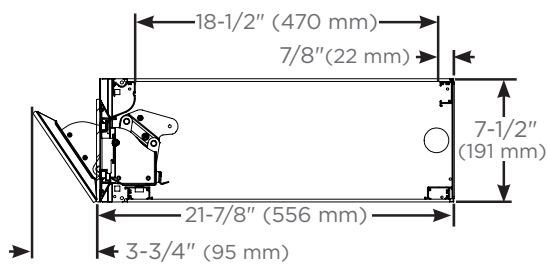
- Robern Engineered Stone Tops and porcelain sink available

Modularity Accessories

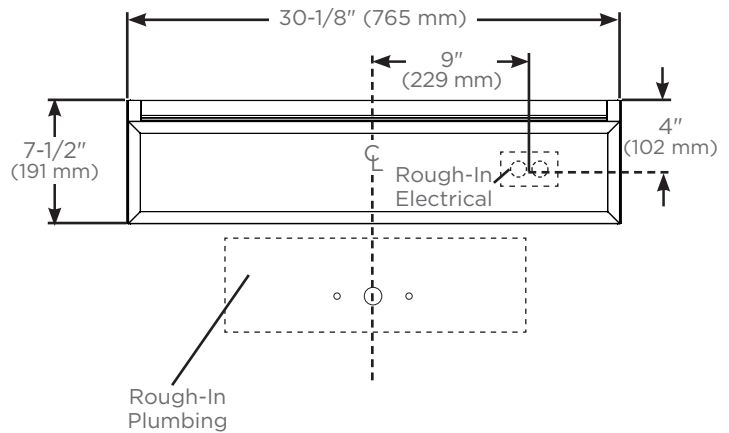
- Side kits (**Pair**):
 - 22-1/2" (VM2SKH3D2158)
- Ganging kits:
 - 22-1/2" (VMGKITH3)
- Alcove finishing kits:
 - 22-1/2" (VMAKITH3)



Top view for plumbing and sink clearance



Side views for plumbing and sink clearance
with door front



Front view with side kits

Installation Notes

Install this product according to the installation guide 209-1231.

- The Robern Engineered Stone Tops and porcelain sinks are recommended for this vanity.
- Special site preparation is required. Wall bracing and Robern supplied hardware are recommended.
- If a sink will be installed, the plumbing must be roughed into the plumbing cutout area of the vanity. Refer to the sink rough-in and the vanity rough-in for proper placement. The water supply and drain lines must be installed before installing the vanity.

Features

- Color and style matched to Profiles Antique Mirror styling suite
- Modular Vanity - Build arrays both stacked and ganged
- Mates to H1D21 (7.5" high)
- Handleless ergonomic continuous drawer
- Includes 2 fully adjustable glass drawer dividers

Construction

- All aluminum and glass construction - designed for disassembly and recycle, aluminum structural frame and drawer sides, glass drawer fronts, and safety backed glass drawer bottom
- Heavy duty, full extension, soft close drawer slides
- Constructed for wall hanging loads with stone tops
- Glass fronts and optional side kits are replaceable
- Includes installation hardware using secure structural bolts
- Glass side kits sold separately

Codes/Standards Applicable

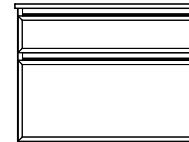
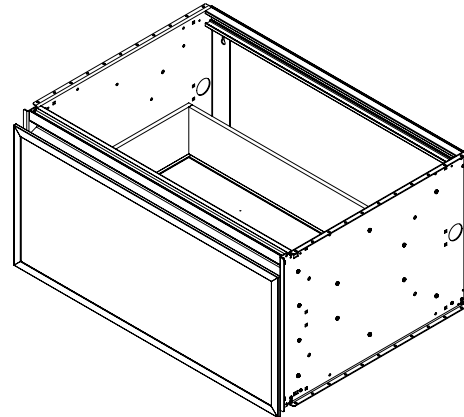
- Night Light Option is ETL certified to:
 - UL 2108
 - CSA Standard C22.2 No. 12
- Electric outlet accessory is ETL certified to:
 - UL 1363
 - CSA Standard C22.2 No. 21

Dimensions

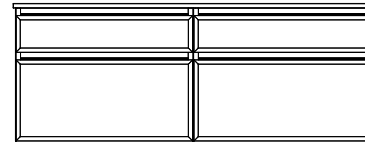
Height: 15" (381 mm)
 Width: 30-1/8" (765 mm) - with side kits installed
 Depth: 21-7/8" (556 mm)

Options

- Integrated night light with light bar built into top frame provides drawer illumination and for wayfinding light in either 2700 kelvin or 4000 kelvin
- In-drawer electrical outlets



30" Example: (1) H1 - 7-1/2" (191 mm) and (1) H2 - 15" (381 mm)
 Profiles Antique Mirror vanities stacked Total height 22-1/2" (572 mm)



60" Example: (2) H1 - 7-1/2" (191 mm) and (2) H2 - 15" (381 mm)
 Profiles Antique Mirror vanities stacked and ganged

Model Number Key

Vanity	Profiles	Width	Height	Depth	Drawer Style	Glass Finish	Light	Metal Frame Finish
V	P	30"	H2 = 15"	D21 = 21-7/8"	F = Full	58 = Acrobaleno	S = Selectable Night Light 2700K / 4000K	82 = Matte Gold

Electrical System

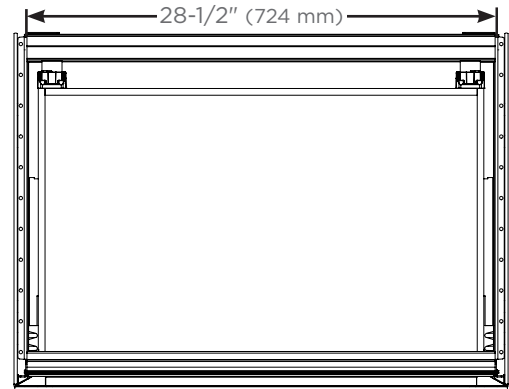
- Night light option - 12VDC plug-in transformer
Locate wall outlet as per installation instructions 209-1232
- In-drawer 3 outlet and switch box option - plug-in cord
Locate wall outlet as per installation instructions 209-1232
120VAC 20A outlet - GFCI protected

Optional Accessories

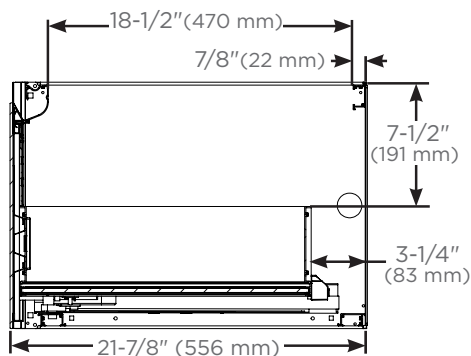
- Insert Plumbing Drawer (VADRAWER30F)
- Insert Full Drawer (VADRAWER30X)
- In drawer electrical outlets (VAELECTRIC21)
- Assorted glass bins:
 - Divided storage (GLASSBIN6.38)
 - Small (GLASSBIN3.25)
 - Medium (GLASSBIN5.25)
 - Large (GLASSBIN8.5)
- Hair Styling Organizer (VAHAIRORG)
- Robern Engineered Stone Tops and porcelain sink available

Modularity Accessories

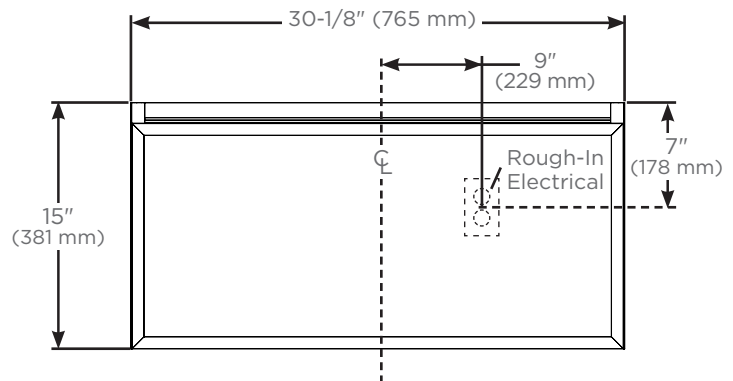
- Side kits (**Pair**):
 - 22-1/2" (VM2SKH3D2158)
- Ganging kits:
 - 22-1/2" (VMGKITH3)
- Alcove finishing kits:
 - 22-1/2" (VMAKITH3)



Top view for plumbing and sink clearance



Side views for plumbing and sink clearance with door front



Front view with side kits

Installation Notes

Install this product according to the installation guide 209-1232.

- The Robern Engineered Stone Tops and porcelain sinks are recommended for this vanity.
- Special site preparation is required. Wall bracing and Robern supplied hardware are recommended.
- If a sink will be installed, the plumbing must be roughed into the plumbing cutout area of the vanity. Refer to the sink rough-in and the vanity rough-in for proper placement. The water supply and drain lines must be installed before installing the vanity.

VM2SKH3D21 Antique Mirror Side Kit - Specification Sheet

Features

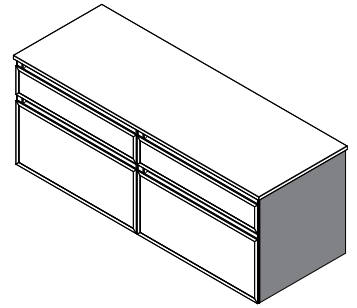
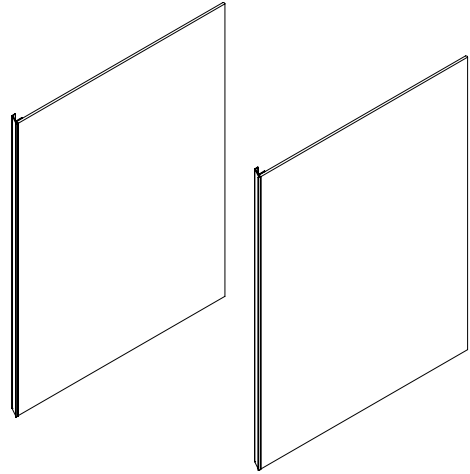
- Aluminum and glass construction
- Side kits are replaceable
- Includes parts and installation hardware for two sides
- Side Kits are universal and can be installed on the right or left side

Dimensions

Height: 22-1/2" (572 mm)
Width: 7/8" (22 mm)
Depth: 21-9/16" (548 mm)

Compatibility

- Pairs with all D21 (21-3/4") vanities that total 22-1/2" in height
- Designed to finish a multiple vanity assembly that totals 22-1/2" in height
- Do not stack Side kits
- See instructions 209-1248



Example shown is (2) 30", H3 Vanities ganged together
 Total Length is 60"

Model Number Key

<u>Vanity</u>	<u>Cartesian</u>	<u>Number of Side Kits</u>	<u>Height</u>	<u>Depth</u>	<u>Glass Finish</u>
V	M	2SK = Pair	H3 = 22-1/2"	D21 = 21-9/16"	58 = Arcobaleno 59 = Luna

Dimensions

