



Thank you so much for purchasing a Robern Skaarsgard or Bodo vanity.  
We greatly apologize for any inconvenience that we have caused due to recent supply issues related to the associated tops.

In effort to offer you an immediate solution for these beautiful vanities, we have outlined two options for you to create a top. Please reach out to your local stone fabricator with your preferred solution outlined below.



**Option 1:**

**FABRICATED TOP WITH UNDERMOUNT SINK**

Take the following drawing to your local top fabricator to create a custom top for your Skaarsgard or Bodo vanity. Purchase Robern sink model CB-X228-1015 (shown). Note: The drawings below are specific to this sink.

[GO TO DRAWINGS](#)



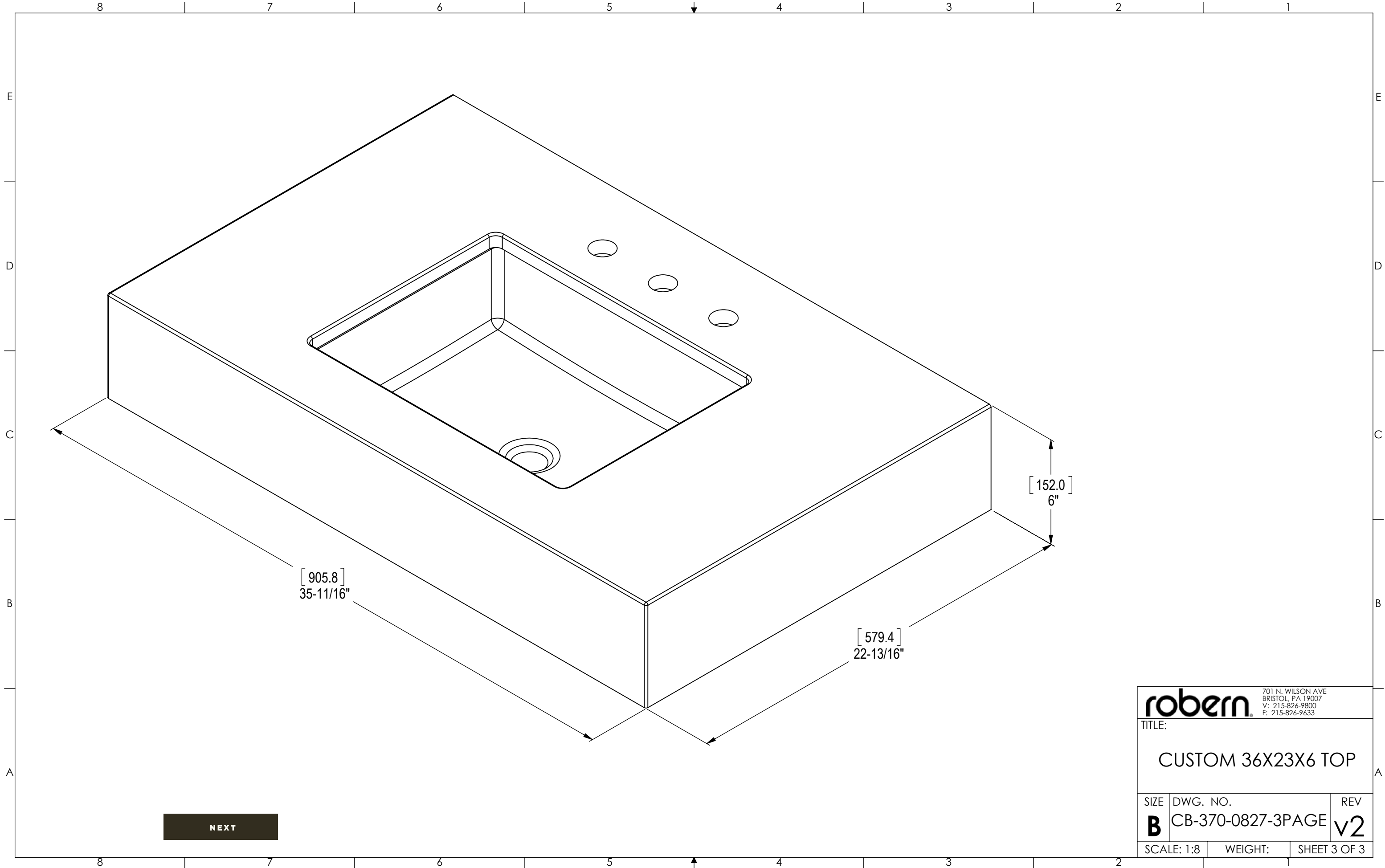
**Option 2:**

**FABRICATED TOP WITH VESSEL SINK**

To create a vessel sink solution, pair a vessel sink with any top of your choice from your local fabricator.

For example, purchase a Kallista Argyle Vessel sink paired with a Kallista One faucet on a top from your local fabricator (shown here).

- Argyle Vessel Sink =  
Model # KallistP70368-00-HW1
- One Single Control Sink Sink  
Faucet - Tall Spout =  
Model # P24409-TL-CP

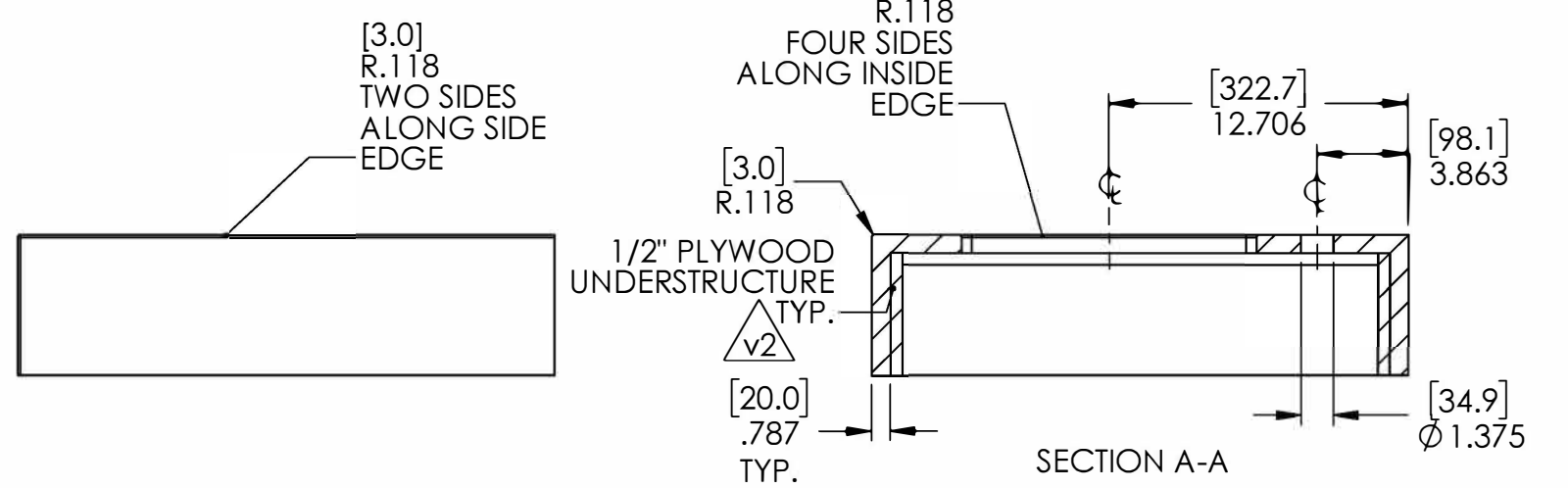
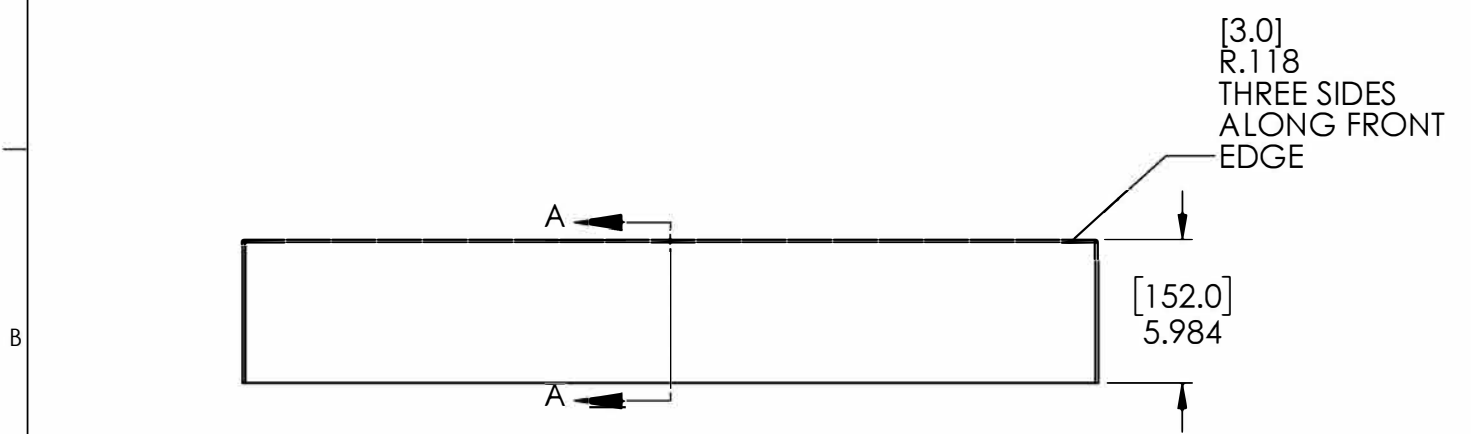
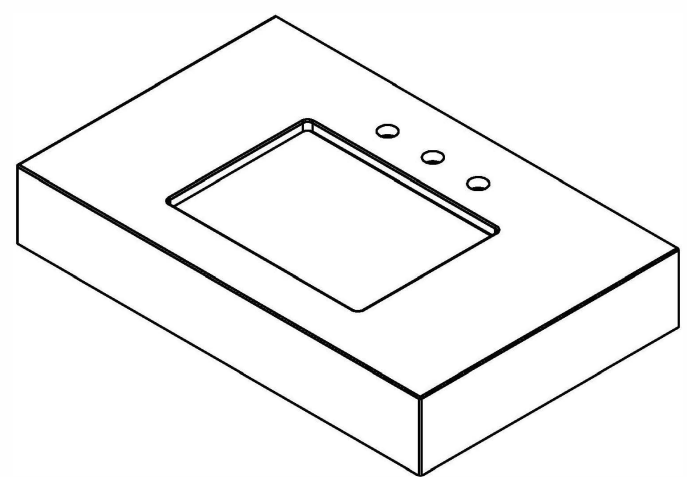
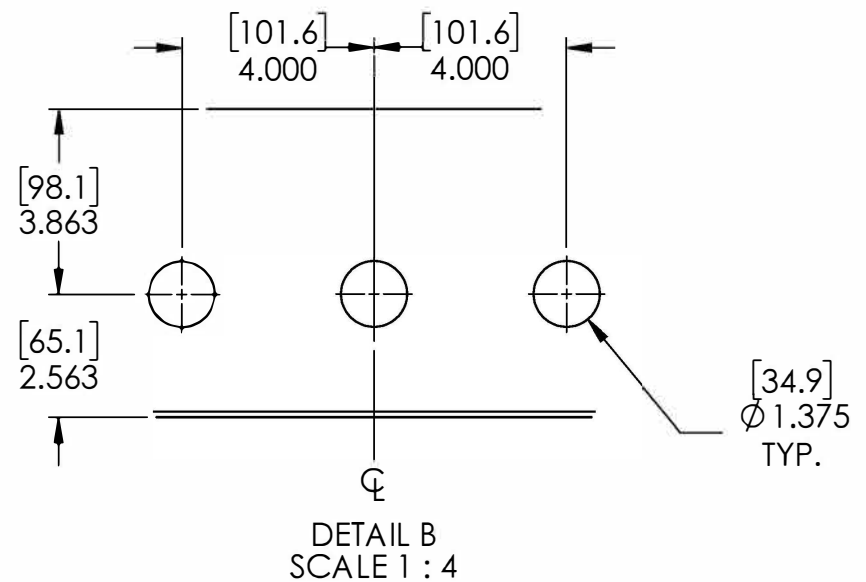
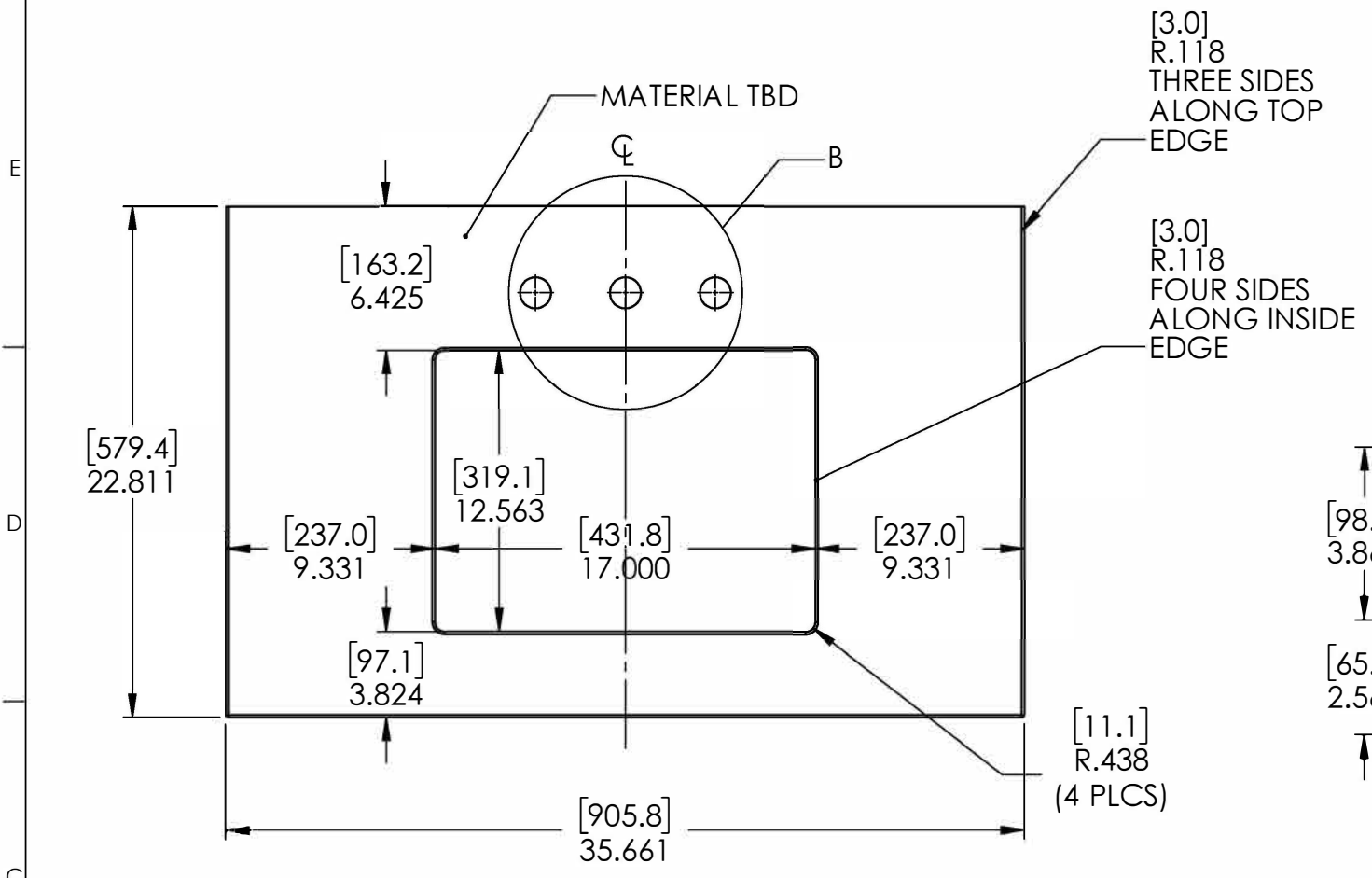


**NEXT**

<b>robern.</b>		701 N. WILSON AVE BRISTOL, PA 19007 V: 215-826-9800 F: 215-826-9633
TITLE:		
CUSTOM 36X23X6 TOP		
SIZE	DWG. NO.	REV
<b>B</b>	CB-370-0827-3PAGE	<b>v2</b>
SCALE: 1:8	WEIGHT:	SHEET 3 OF 3

8 7 6 5 4 3 2 1

REVISIONS					
REV	ECR#	LOCATION	DESCRIPTION	BY	DATE
v1			RELEASE FOR QUOTING	TAK	6/2/2022
v2			<ul style="list-style-type: none"> <li>ADDED 1/2" PLYWOOD SUPPORT STRUCTURE</li> <li>ADDED PAGE 3</li> </ul>	TAK	6/13/2022

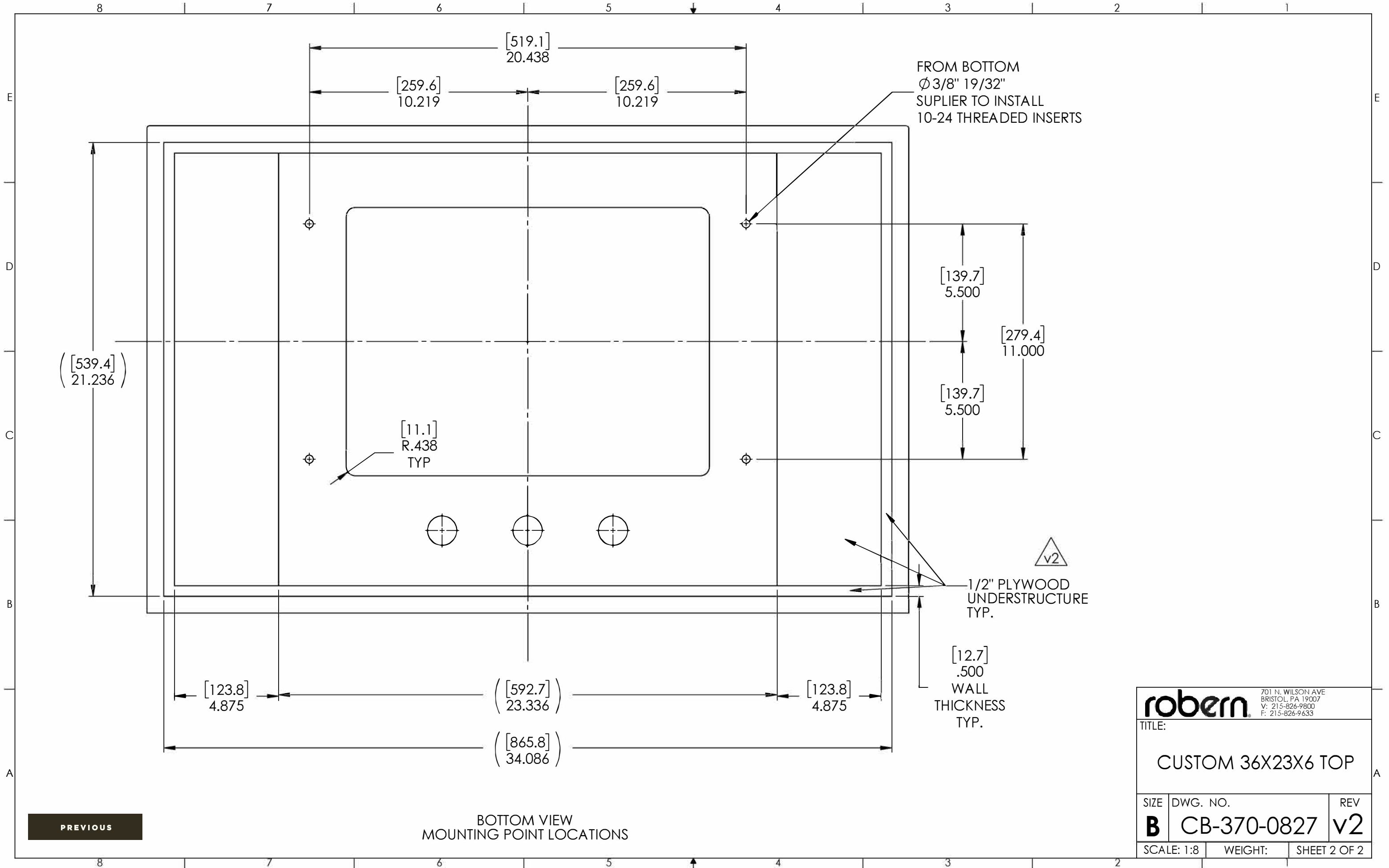


<p>UNLESS OTHERWISE SPECIFIED:</p> <p>DIMENSIONS ARE IN INCHES</p> <p>TOLERANCES:</p> <p>ANGULAR: <math>\pm 2^\circ</math></p> <p>TWO PLACE DECIMAL: <math>\pm .01</math></p> <p>THREE PLACE DECIMAL: <math>\pm .005</math></p> <p>DRAWN WITH ANSI STANDARDS</p> <p>INTERPRET GEOMETRIC TOLERANCING PER:</p> <p>MATERIAL: Material &lt;not specified&gt;</p> <p>FINISH: [SW-Finish]</p> <p>DO NOT SCALE DRAWING</p>	NAME	DATE	<p><b>robern.</b></p> <p>701 N. WILSON AVE BRISTOL, PA 19007 V: 215-826-9800 F: 215-826-9633</p>	
	DRAWN BY	TAK		6/2/2022
	CHECKED			
	ENG APPR.			
	MFG APPR.			
	Q.A.			
	COMMENTS:			

TITLE:		
CUSTOM 36X23X6 TOP		
SIZE	DWG. NO.	REV
<b>B</b>	<b>CB-370-0827</b>	<b>v2</b>
SCALE: 1:8	WEIGHT:	SHEET 1 OF 2

PREVIOUS NEXT

8 7 6 5 4 3 2 1



<small>701 N. WILSON AVE BRISTOL, PA 19007 V: 215-826-9800 F: 215-826-9633</small>		
TITLE:		
CUSTOM 36X23X6 TOP		
SIZE	DWG. NO.	REV
<b>B</b>	<b>CB-370-0827</b>	<b>v2</b>
SCALE: 1:8	WEIGHT:	SHEET 2 OF 2