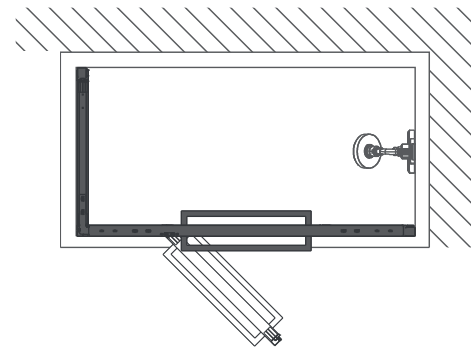
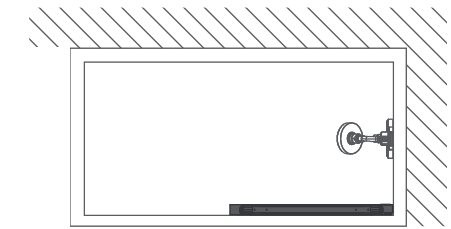
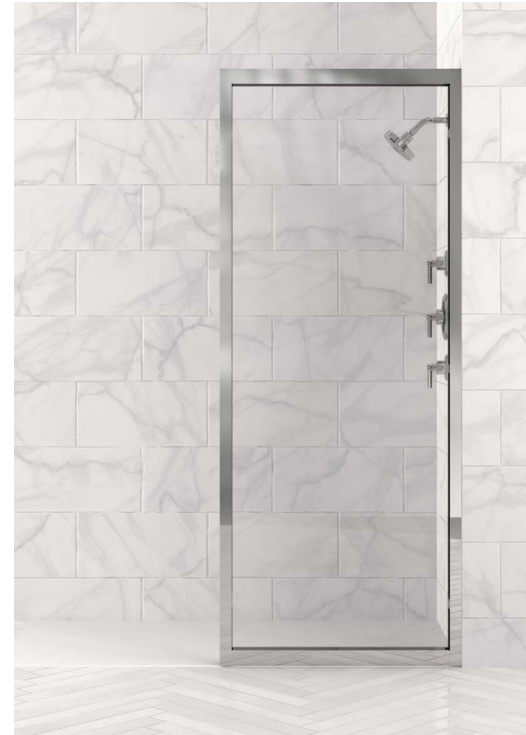


SAMPLE CONFIGURATIONS

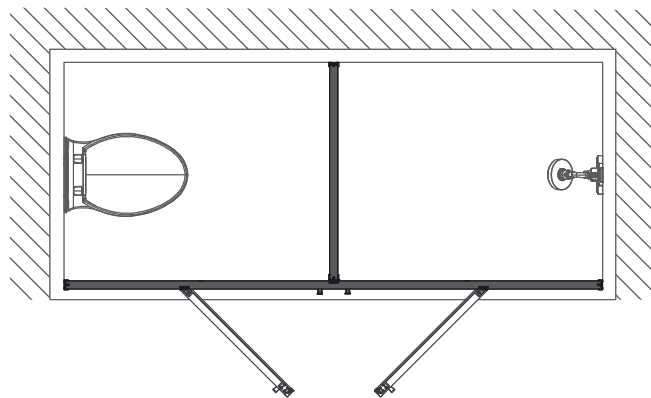
To serve as inspiration for your next project, we present three sample shower configurations at varying price points.



CONFIGURATION 1



CONFIGURATION 3



CONFIGURATION 2



CUSTOM OPTIONS

If project design needs require a product outside of semi-custom offering, custom solutions are available. Contact us at custom@robern.com for more information.

- Frame width and finish options
- Grille width and design options (contour, beaded, single-sided grilles and more)
- Soft-close, self-close or slow-close options
- Handle design options
- Glass options
 - Tinted and decorative glass
 - ½" tempered glass
 - Clear glass with a low iron glass option for an ultra-clear view
 - A glass treatment for repelling water for ease of cleaning
- A variety of shower hardware